



LIGHTED DOOR CANOPY

Metallic Products' lighted personnel door canopies keep you covered. This economical, attractive overhead protection is built strong and designed to withstand the elements.



ALREADY HAVE A METALLIC PRODUCTS CANOPY?

Transform it into a lighted door canopy with a **retrofit kit!** Contact Metallic Products for kits and installation instructions.

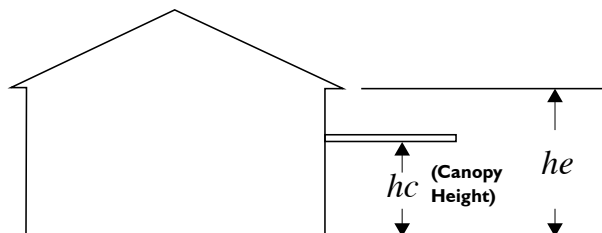
SPECIFICATIONS

IBC 2012, 2015, 2018, 2021 & 2024			
Projection	Ultimate Wind Speed [Exp. B]	Ultimate Wind Speed [Exp. C]	Ultimate Pressures (psf)
3 ft.	350 mph	316 mph	-317 [Uplift]
			240 [Downward]
4 ft.	262 mph	237 mph	-178 [Uplift]
			180 [Downward]
5 ft.	210 mph	190 mph	-115 [Uplift]
			143 [Downward]

Wind loads shown are uniform loads on a 4'- 6" wide canopy with 2 braces.

Wind loads calculated per ASCE 7-16 Section 30.11 and ASCE 7-22 Section 30.9-1, using net pressure coefficients on attached canopies considering contributions from upper and lower surfaces.

- Topographic factor, $K_{zt} = 1.0$
- Wind directionality factor, $K_d = 0.85$
- Ground elevation factor, $K_e = 1.0$
- Net pressure coefficient, $G_{Cp} = -1.4$ for Uplift pressure & $+0.9$ for Downward pressure
- Velocity pressure coefficient, $K_z = 0.85$ for Exposure – B & 1.04 for Exposure – C
- Mean building eave height, h_e :
 - Max 60' above ground for Exposure – B
 - Max 40' above ground for Exposure – C



ELEVATION



SPECIFICATIONS (CONT'D)

SNOW LOAD <i>(Note: On the canopy, not the ground snow)</i>	3' Projection — Max = 144 psf
	4' Projection — Max = 108 psf
	5' Projection — Max = 86 psf

Snow loads shown are uniform loads on a 4'-6" wide canopy with 2 braces. Snow loads shall be determined by engineer utilizing applicable codes and project-specific design criteria.

NOTE: Wider canopies, more stringent loading requirements and customer engineering analysis available.

▶ TRY OUR CANOPY CALCULATOR

Our online tool helps you calculate structure specifications for your canopy.



CONSTRUCTION

- Economical and attractive overhead protection from the elements
- Specifically designed for high wind load and heavy snow load areas
- 24-gauge flat soffit and integral gutter with rear-mounted drains
- 16-gauge galvanized internal frame for 3' and 4' projections and 14-gauge galvanized internal frame for 5' projection
- 5/8" dia. rod end 4140 hot rolled annealed (HRA) [$F_y = 125$ ksi]
- 16-gauge telescoping support channels mount behind wall panel between girts, mounting clips and fasteners included
- 3/4" dia. galvanized pipe hangers with adjustable rod ends
- Single door contains one LED light in the center of soffit panels, double door contains two LED lights 20" from the edge width
- Wet rated LED downlight provides uniform luminance (120V, 990 lumens, 3000K color temperature) from a low profile flat lens
- LED lifetime of 50,000 hours
- ENERGY STAR-certified luminaire contains no mercury or lead
- Precision molded lens features high transmission polymer with UV stabilized protecting film
- Fixture mounted in soffit of canopy and sealed to top-mounted junction box
- Electrical contractor must ensure of fit, wiring and proper mounting in the electrical junction box. This includes all applicable national and local codes.

SIZES

- Standard sizes for single door (4'6" x 4'0") and double door (7'6" x 4'0"); also available in 3' and 5' projections
- Canopies are available in custom widths up to 10'.
- Can be mulled together for continuous run applications. Mullions and secondary gutter provided when specified.

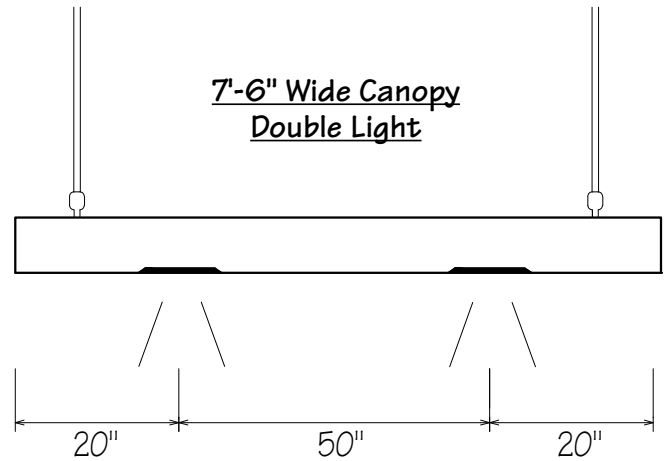
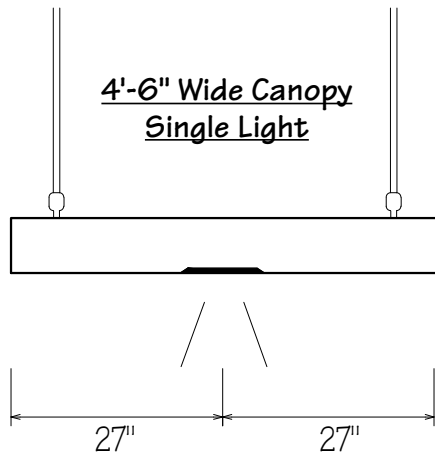
FINISHES

- Galvalume steel
- Silicone polyester, Kynar® and powder coated finish options available in a wide range of colors
- Custom color matching
- Single color or two tone (contrasting gutter/fascia and soffit)

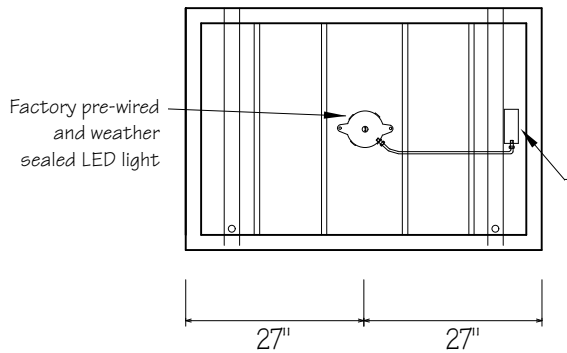
OPTIONS

- Masonry mount (anchors by others)
- Downspouts
- Front mounted drains

TECHNICAL SPECIFICATIONS



4'-6" Wide Canopy Single Light
(Wall Side)



Junction box ready for field wiring to 120V supply (by others)

NOTE: Remove junction box from canopy frame as needed to access face plate

7'-6" Wide Canopy Double Light
(Wall Side)

